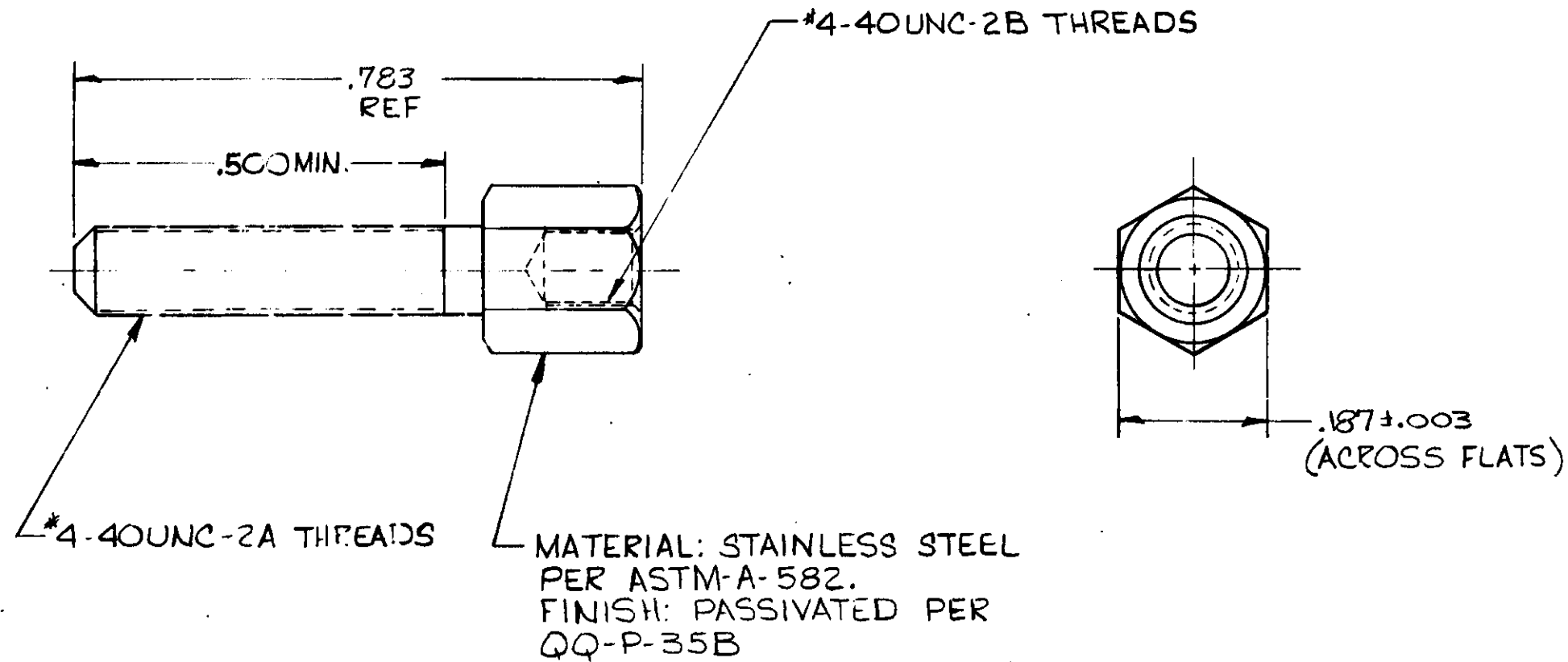


THIS DRAWING IS UNPUBLISHED. RELEASED FOR PUBLICATION, 19
 © COPYRIGHT 19 BY AMP INCORPORATED, HARRISBURG, PA. ALL INTERNATIONAL RIGHTS RESERVED. AMP PRODUCTS MAY BE COVERED BY U.S. AND FOREIGN PATENTS AND/OR PATENTS PENDING.

REVISIONS					DATE	APPROVED
P	F	ZONE	LTR	DESCRIPTION		
/	/		R	ECO-10-010402	PY 6-10	RL



MATERIAL: STAINLESS STEEL
 PER ASTM-A-582.
 FINISH: PASSIVATED PER
 QQ-P-35B

UNLESS OTHERWISE SPECIFIED DIMENSIONS ARE IN INCHES. TOLERANCES ON: DECIMALS ± .001 ANGLES ± .5°		CONTRACT NO		AS SHOWN		212452-1	
MATERIAL SEE CALLOUTS		DR R. G. [Signature] 5-27-84		DESCRIPTION		PART NO	
FINISH SEE CALLOUTS		CHK [Signature] 2-28-84		AMP		AMP INCORPORATED Harrisburg, Pa.	
		APPD [Signature] 2-29-84		NAME		SCREWLOCK, FEMALE, AMPLIMITE, NON-MAG.	
		DSCN APPD [Signature] 3/4/84		SIZE		FSCM NO	
		OTHER APPD		B		00779	
				DRAWING NO		212452	
				REV		R	
				SCALE		SHEET 1 OF 1	
				NTS			