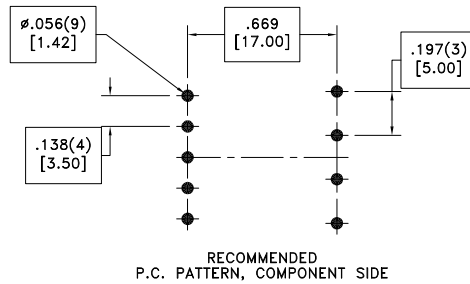
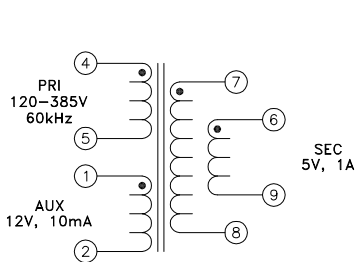
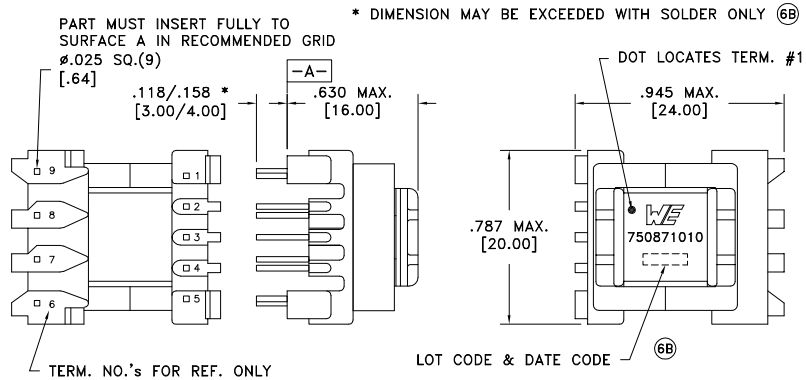


CUSTOMER TERMINAL	RoHS	LEAD(Pb)-FREE
Sn96%, Ag4%	Yes	Yes

more than you expect



ELECTRICAL SPECIFICATIONS @ 25°C unless otherwise noted:

PARAMETER	TEST CONDITIONS	VALUE
D.C. RESISTANCE	1-2 @20°C	1.05 ohms max.
D.C. RESISTANCE	4-5 @20°C	6.00 ohms max.
D.C. RESISTANCE	6-9 @20°C	0.052 ohms max.
D.C. RESISTANCE	7-8 @20°C	0.066 ohms max.
INDUCTANCE	4-5 10kHz, 100mVAC, Ls	3.30mH $\pm 10\%$
LEAKAGE INDUCTANCE	4-5 tie(1+2, 6+7+8+9), 100kHz, 100mVAC, Ls	40uH max.
DIELECTRIC	4-6 tie(1+5, 6+7), 5000VAC, 1 second	4000VAC, 1 minute
DIELECTRIC	1-4 1875VAC, 1 second	1500VAC, 1 minute
URNS RATIO	(4-5):(6-9)	14.36:1, $\pm 1\%$
URNS RATIO	(4-5):(7-8)	14.36:1, $\pm 1\%$
URNS RATIO	(4-5):(1-2)	6.32:1, $\pm 1\%$

GENERAL SPECIFICATIONS:

OPERATING TEMPERATURE RANGE: -40°C to +125°C.

(6B) Wire insulation & RoHS status not affected by wire color.
 Wire insulation color may vary depending on availability.

REV.	DATE	Packaging Specifications Method: Tray PKG-0735 www.we-online.com/midcom		Tolerances unless otherwise specified: Angles: $\pm 1^\circ$ Fractions: $\pm 1/64$	Decimals: $\pm .005$ [.13] Footprint: $\pm .005$ [.13]	DRAWING TITLE TRANSFORMER	PART NO. 750871010
6B	6/16			This drawing is dual dimensioned. Dimensions in brackets are in millimeters.		eiSos p/n: 750871010	
6A	10/08	SEE REVISION SHEET FOR REVISION LEVEL					SPECIFICATION SHEET 1 OF 1

