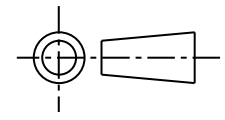


ISS.	DATE	E.C.N.	DESCRIPTION
1	19-Aug-08		FIRST RELEASE

© 2006 CARCLO
ALL DIMENSIONS IN mm



CUSTOMER DRAWING



CARCLO TECHNICAL PLASTICS (SLOUGH) LTD.
111 BUCKINGHAM AVE, SLOUGH
SL1 4PF, ENGLAND
TEL: +44 1753 575011 FAX: +44 1753 811359
e-mail: design@ctpcoil.co.uk}

GENERAL TOLERANCES (UNLESS STATED)

LINEAR	ANGULAR
X +/- 0.25	X +/- 1°
X.X +/- 0.1	X.X +/- 0.5°
X.XX +/- 0.05	X.XX +/- 0.1°

CUSTOMER

CARCLO

TITLE

26.5mm LED OPTIC 0.8mm OFFSET
ELLIPTICAL

DRAWN

M.B.

DATE

19-Aug-08

CHK'D

DATE

APP'D

DATE

SCALE

2:1

COIL PART No.

10395

SIZE

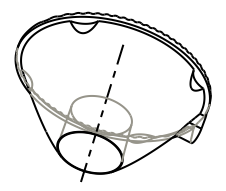
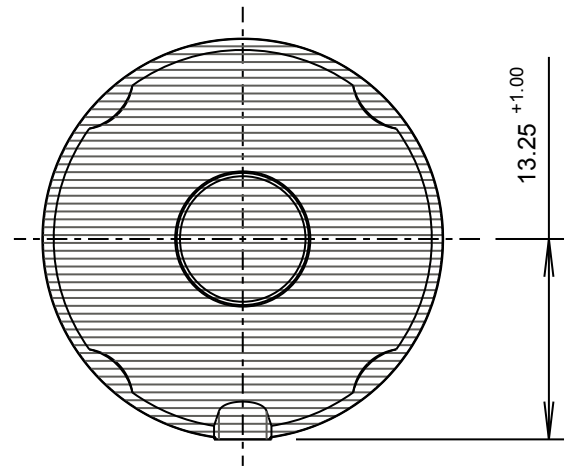
A4

COIL DRG. No.

60538

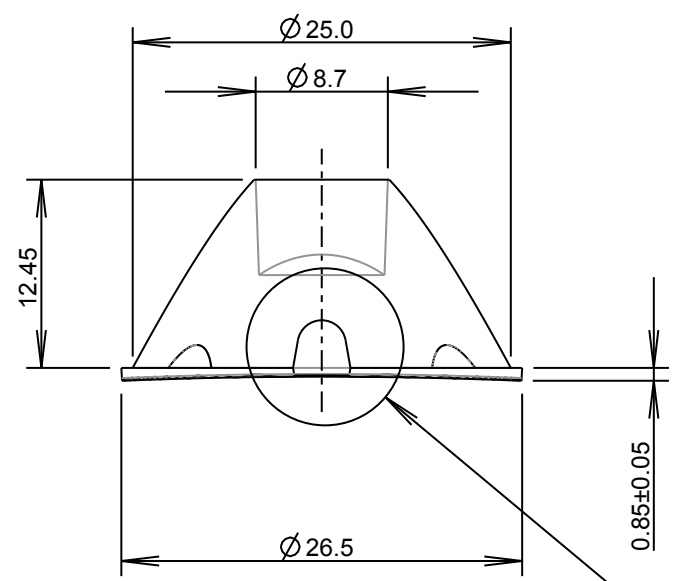
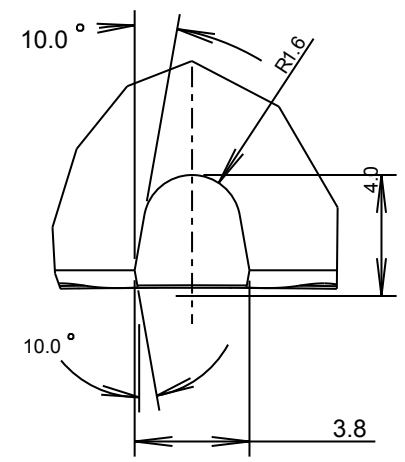
SHEET

1 OF 1



SCALE 1:1
GENERAL VIEW

DETAIL A
SCALE 4:1



SEE DETAIL A

MATERIAL: POLYCARBONATE