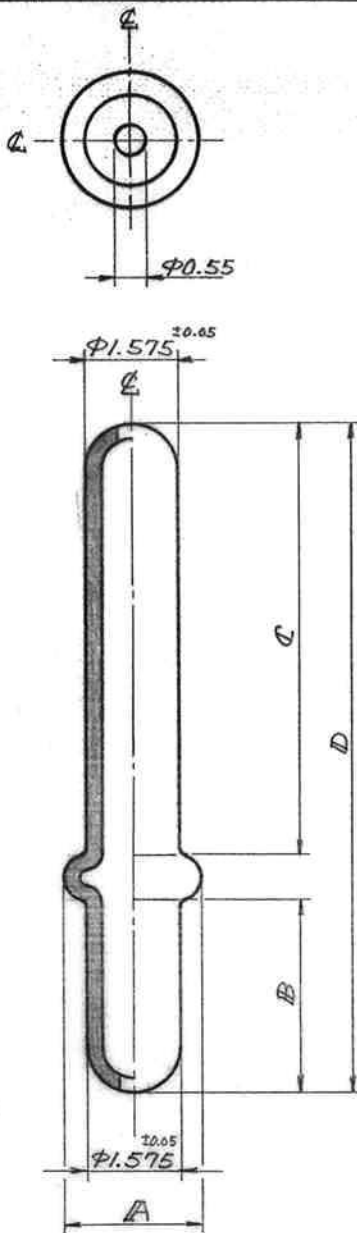


ENG. NO. SD-R62-*

EDP NO. 16-06-00**



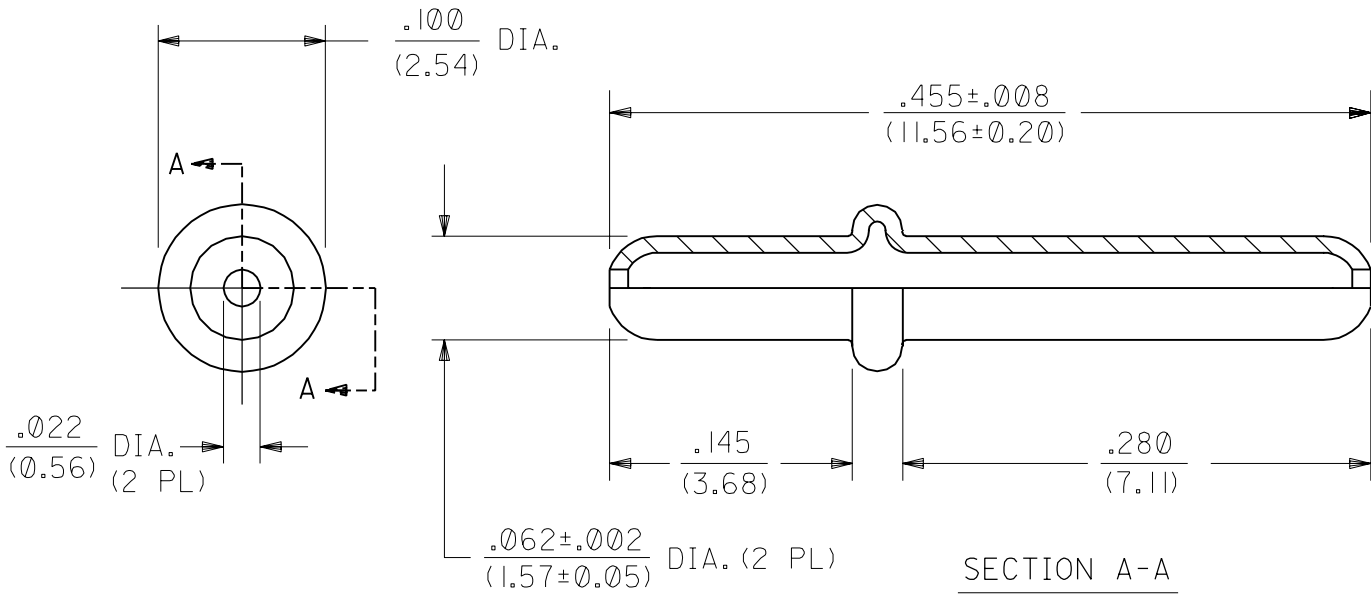
注記

1. 推奨プリント基板穴径: $\phi 1.65^{+0.05}$

DIMENSIONS IN METRIC DO NOT SCALE DRAWING

角度 ANGLE	± 3°	16-06-0010	R62-5	φ2.55	3.68	7.1	11.55	錫メッキ(3μmin.)
30 以上 OVER	±0.3	↓	↓					
10 以上 30 未満 OVER UNDER	±0.25	↓	↓	φ2.28	3.18	10.15	14.1	錫メッキ(3μmin.)
10 未満 UNDER	±0.2	16-06-0004	R62-3	φ2.29	3.18	7.11	11.05	錫メッキ(3μmin.)
一般公差 GENERAL TOLERANCES		EDP NO.	ENG. NO.	A	B	C	D	メッキ仕様 備考

材料 MATERIAL		貴銅		MOLEX-JAPAN CO., LTD. 日本モレックス株式会社	
仕上 FINISH		長参照		EDP NO. 16-06-00**	
適用電線範囲 WIRE RANGE				ENG. NO. SD-R62-*	
被覆外径 INS. RANGE				REV D	
DRAWN BY		CHK'D BY		TITLE 名称: BEAD PIN	
APP'D BY		DATE		尺 度 SCALE 8-1	



SECTION A-A

NOTES:

- MATERIAL: CARTRIDGE BRASS, ALLOY #C26000.
- FINISH: .000200/(0.00508) MIN. ELECTRO TIN PLATE.

A	NEW SALES DWG. ECN U2 0738 5-7-92 RW			
MFG.	SH.	REV.	LTR.	REVISIONS

DIMENSIONS SHOWN (METRIC) INCH			
UNLESS OTHERWISE SPECIFIED TOLERANCES: ANGULAR ± 1/2°			
	INCH	METRIC	
3 PLACE	± .010	---	
2 PLACE	± .014	± 0.25	
1 PLACE	---	± 0.36	
DRAFT WHERE APPLICABLE MUST REMAIN WITHIN DIMENSIONS			
DRWG. BY	RW	CHK'D. BY	RW
APP'D. BY	RAS	SCALE	10: 1

$\nabla = 0$	$\blacktriangledown = 0$	REVISE ONLY ON CAD SYSTEM	
TITLE . $062/(1.57)$ DIA. PIN FOR P.C. BOARD MOUNTING			
	MOLEX INCORPORATED LISLE, ILL. 60532 U.S.A.	SHEET NO. 1 OF 1	DATE 5/7/92
PART NO. 16-06-0010		DRWG. NO. SDSP-599	
FILE NAME S599X1 DGN	THIS DRAWING CONTAINS INFORMATION THAT IS PROPRIETARY TO MOLEX INC. AND SHOULD NOT BE USED WITHOUT WRITTEN PERMISSION.		DIV. CP SIZE A