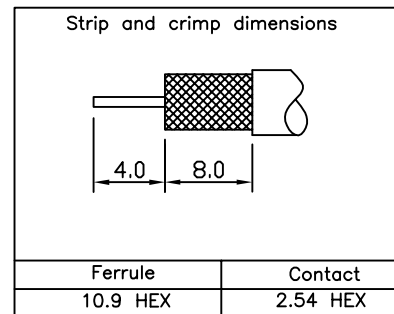
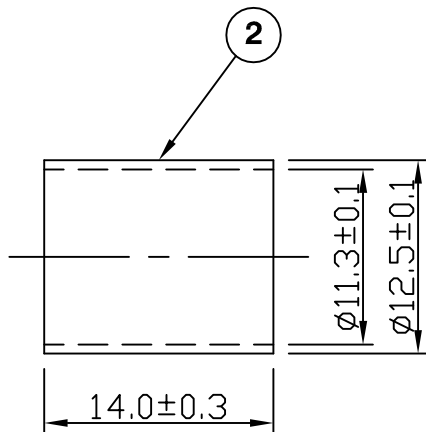
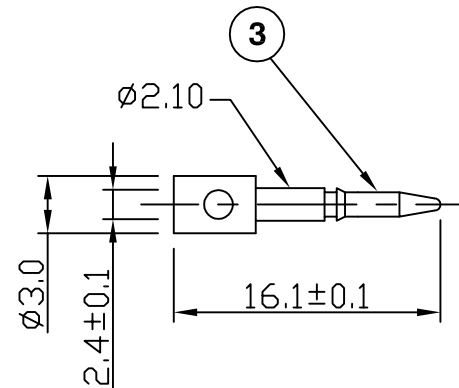
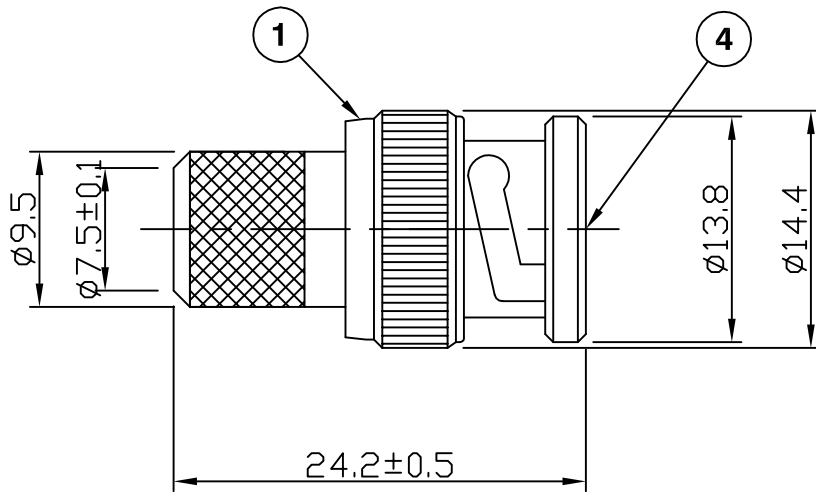


RoHS COMPLIANT



Electrical Characteristics

Nominal Impedance:	50 ohms
Frequency Range:	DC to 4 GHz
VSWR:	1.3:1 maximum
Insertion Loss:	0.2 dB at 3 GHz
Operating Voltage (rms):	500 V maximum at sea level
Dielectric Withstand Voltage (rms):	1500 V maximum at sea level
Contact Resistance:	1.5 milliohms maximum
Insulation Resistance:	5000 megohms minimum

Mechanical Characteristics

Mating Cycles:	500 cycles minimum
Interface Dimensions:	Conform to MIL-C-39012

Environmental Characteristics

Temperature Range:	-55 °C to +85 °C
--------------------	------------------

PART	DESCRIPTION
1	Body Brass, nickel plated 2,54 µm
2	Ferrule Brass, nickel plated 2,54 µm
3	Contact Brass, gold plated 0.076 µm - 0.127 µm
4	Dielectric POM

DESCRIPTION OF REVISION	APPVD	ISS	DATE
Drawing, Address & RoHS Update	JT	5	25 Mar 10
Measurements Updated	KA	4	13 Aug 07
CAD Issue	SN	3	21 Aug 01
Ferrule size changed from 10.7 + 11.8 to 10.9 + 12.4	PDC	2	19 Oct 00
First Issue		1	

For stripping and assembly instructions see Drawing Number: VAIB1102



Cinch Connectivity Solutions
7-13 Russel Way,
Widford Industrial Estate,
Chelmsford, Essex,
CM1 3AA, UK.
Tel: +44 (0) 1245 359515
Fax: +44 (0) 1245 358938

SCALE: Not To Scale

DIMENSIONS: mm

TOLERANCES:
± 0.2mm unless
otherwise stated

DRAWN BY:

S Nash

CHECKED BY:

M Nielsen

APPROVED BY:

P Couzens

DATE:

21 Aug 01

TITLE:

**BNC Crimp Plug for RG213 /
URM67 / KX4**

PART NUMBER:

VB10-2023

PAGE: 1 of 1