

4

3

2

1

THIS DRAWING IS UNPUBLISHED. RELEASED FOR PUBLICATION 20  
 © COPYRIGHT 20 BY TYCO ELECTRONICS CORPORATION. ALL RIGHTS RESERVED.

LOC	DIST	REVISIONS			
P	LTR	DESCRIPTION	DATE	DWN	APVD
ES	00				
	A4	REVISED ECR-08-009797	16MAY08	AZ	SY
	B	REVISED PER ECO-11-005032	11MAR2011	JY	CW

INTERMEDIATE REAR EMI GASKET;  
 MAT'L: COPPER ALLOY  
 FINISH: TIN

XFP CAGE  
 MAT'L: COPPER ALLOY  
 FINISH: TIN

23 MAX

FRONT EMI GASKET;  
 MAT'L: COPPER ALLOY  
 FINISH: TIN

65.53 REF

ELASTOMERIC GASKET;  
 MAT'L: CONDUCTIVE  
 RUBBER

21.7 MIN

2 REF

13.29 ± 0.13

2.25 MAX  
 TYP (14) PLC

FRONT FLANGE;  
 MAT'L: ZINC ALLOY  
 FINISH: TIN  
 OVER NICKEL AND  
 COPPER FLASH

XFP CAGE REAR EMI GASKET;  
 MAT'L: CONDUCTIVE FOAM

1658871-1  
 PART  
 NUMBER

<small>THIS DRAWING IS A CONTROLLED DOCUMENT FOR TYCO ELECTRONICS CORPORATION          IT IS SUBJECT TO CHANGE AND THE CONTROLLING ENGINEERING ORGANIZATION          SHOULD BE CONTACTED FOR THE LATEST REVISION.</small>		DWN D.E.STAHL 20NOV03 CHK E.BRIGHT 20NOV03 APVD E.BRIGHT 20NOV03	Tyco Electronics Shanghai, China
DIMENSIONS: mm 	TOLERANCES UNLESS OTHERWISE SPECIFIED: 0 PLC ±. 1 PLC ±.1 2 PLC ±.05 3 PLC ±.005 4 PLC ±.0001 ANGLES ±. FINISH	PRODUCT SPEC 108-2127 APPLICATION SPEC 114-13096 WEIGHT -	NAME ASSEMBLY, XFP CAGE WITH INSULATING TAPE SIZE CAGE CODE DRAWING NO A2 00779 C-1658871 RESTRICTED TO -
MATERIAL	-	CUSTOMER DRAWING	SCALE 4 SHEET 1 OF 4 REV B

4

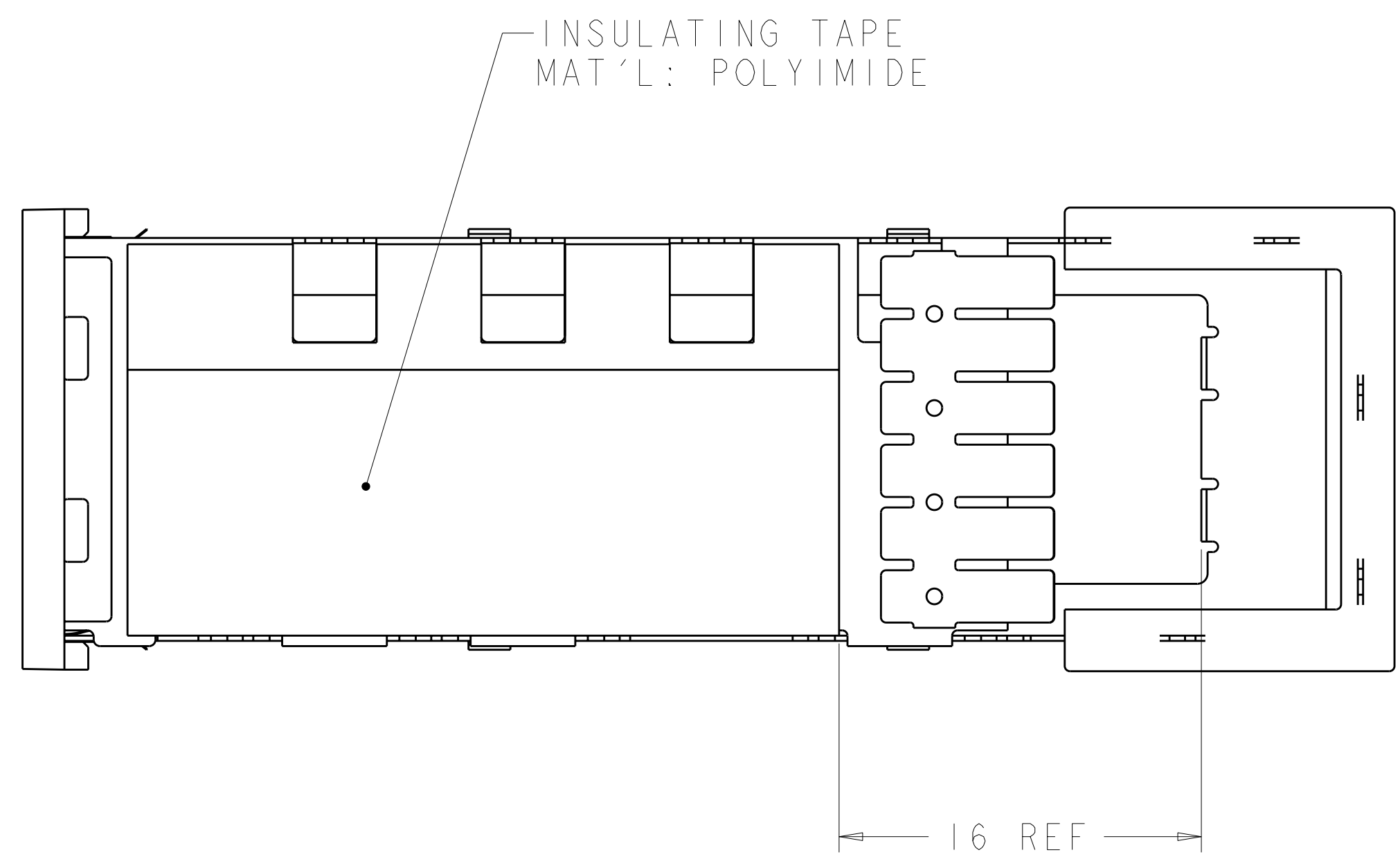
3

2

1

THIS DRAWING IS UNPUBLISHED. RELEASED FOR PUBLICATION 20  
 © COPYRIGHT 20 BY TYCO ELECTRONICS CORPORATION. ALL RIGHTS RESERVED.

LOC	DIST	REVISIONS			
P	LTR	DESCRIPTION	DATE	DWN	APVD
ES	00	-	SEE SHEET 1	-	-



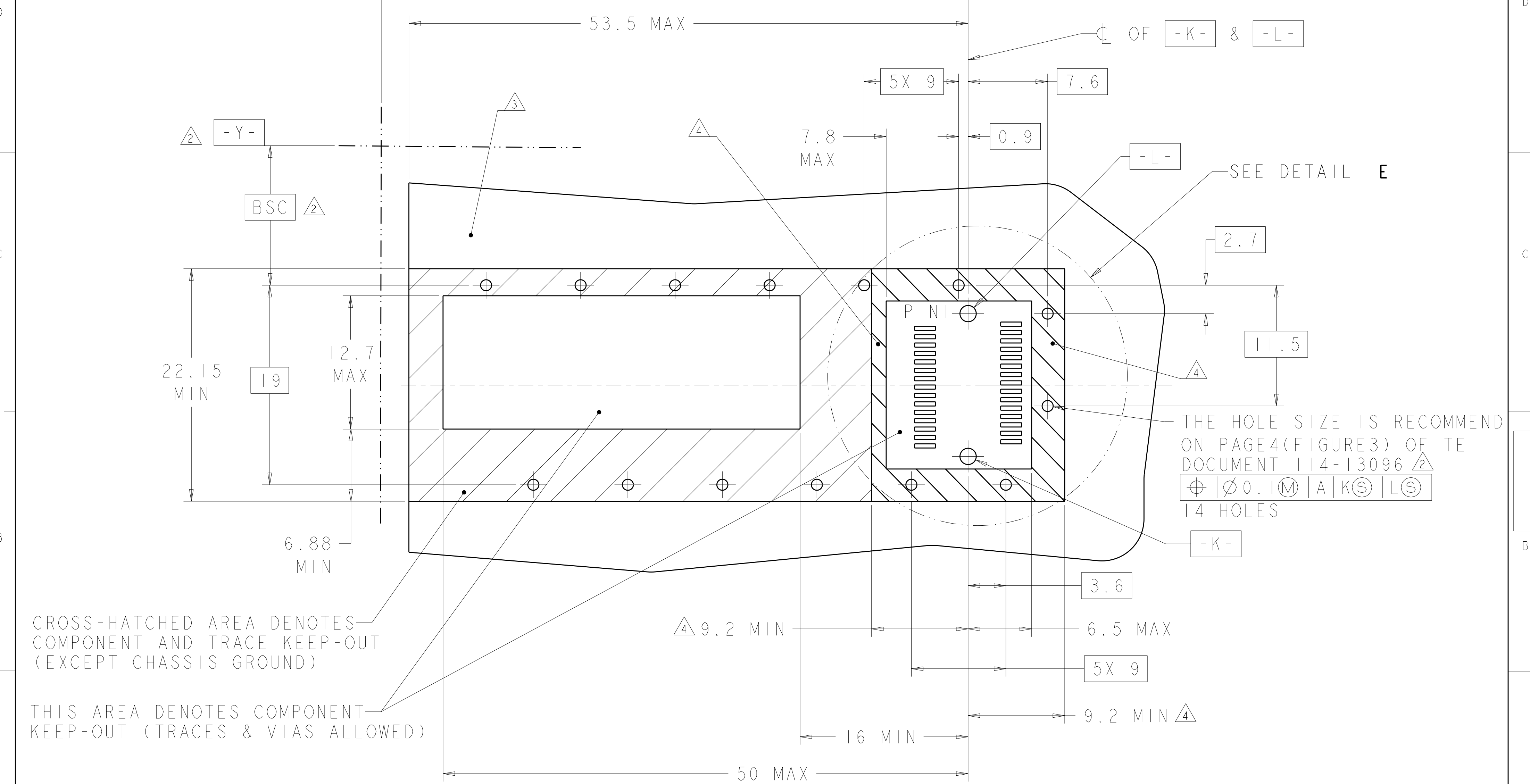
VIEW R - R

- ① MATES WITH XFP-MSA COMPLIANT TRANSCEIVERS.
- ② DATUM -X- AND -Y- ESTABLISHED BY CUSTOMER.
- ③ DATUM -A- IS TOP SURFACE OF HOST BOARD.
- ④ INDICATED SURFACES TO BE CONDUCTIVE AND CONNECTED TO CHASSIS GROUND.

<small>THIS DRAWING IS A CONTROLLED DOCUMENT FOR TYCO ELECTRONICS CORPORATION          IT IS SUBJECT TO CHANGE AND THE CONTROLLING ENGINEERING ORGANIZATION          SHOULD BE CONTACTED FOR THE LATEST REVISION.</small>		DWN D. E. STAHL 20NOV03 CHK E. BRIGHT 20NOV03 APVD E. BRIGHT 20NOV03	Tyco Electronics Shanghai, China
DIMENSIONS: mm 	TOLERANCES UNLESS OTHERWISE SPECIFIED: 0 PLC ±.1 1 PLC ±.1 2 PLC ±.05 3 PLC ±.005 4 PLC ±.0001 ANGLES ± FINISH	PRODUCT SPEC 108-2127 APPLICATION SPEC 114-13096 WEIGHT - CUSTOMER DRAWING	NAME ASSEMBLY, XFP CAGE WITH INSULATING TAPE SIZE A2 CAGE CODE 00779 DRAWING NO 1658871 RESTRICTED TO -
		SCALE 4	SHEET 2 OF 4 REV B

THIS DRAWING IS UNPUBLISHED. RELEASED FOR PUBLICATION 20  
 © COPYRIGHT 20 BY TYCO ELECTRONICS CORPORATION. ALL RIGHTS RESERVED.

LOC	DIST	REVISIONS			
P	LTR	DESCRIPTION	DATE	DWN	APVD
ES	00	SEE SHEET 1			



CROSS-HATCHED AREA DENOTES COMPONENT AND TRACE KEEP-OUT (EXCEPT CHASSIS GROUND)

THIS AREA DENOTES COMPONENT KEEP-OUT (TRACES & VIAS ALLOWED)

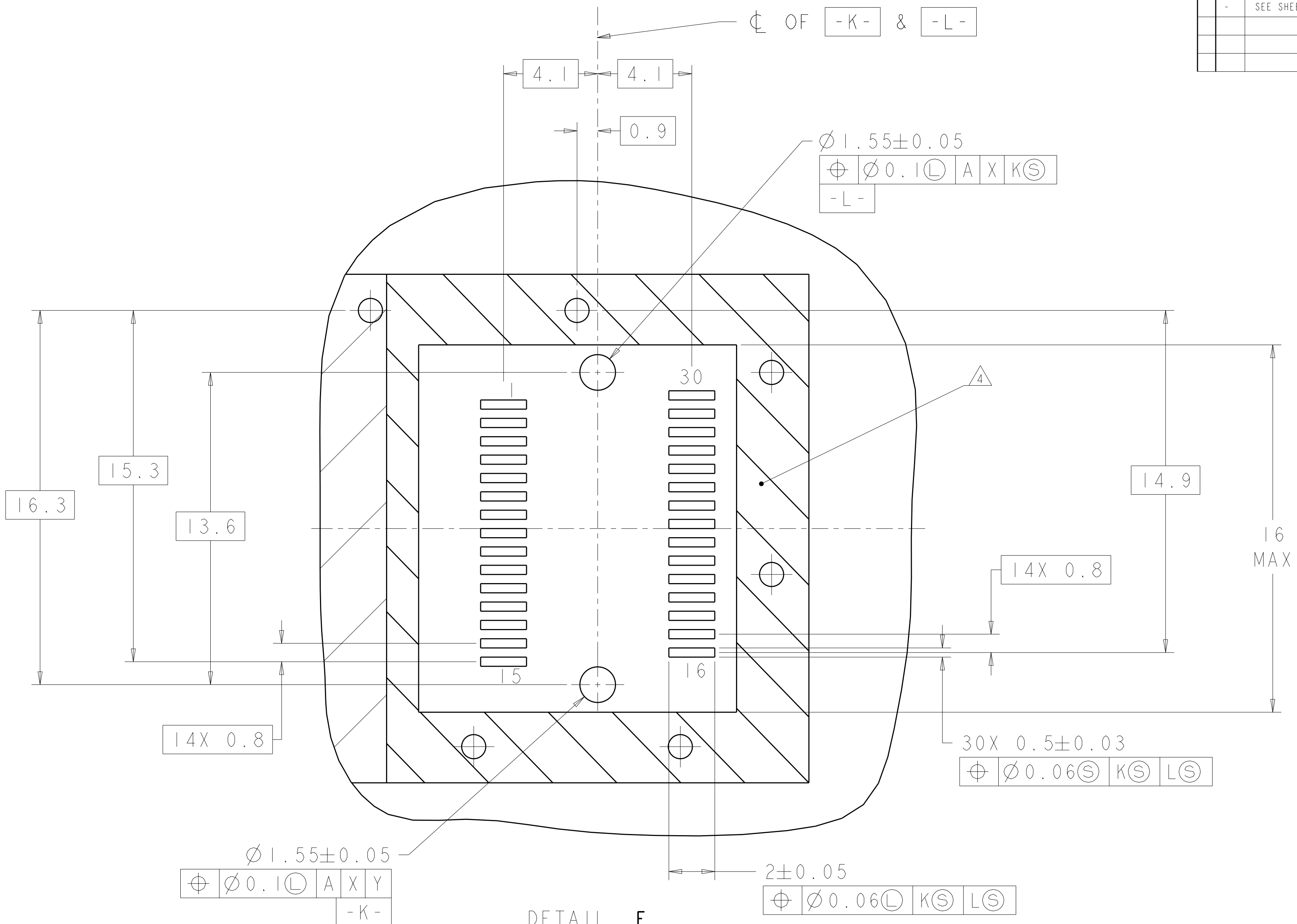
THE HOLE SIZE IS RECOMMEND ON PAGE 4 (FIGURE 3) OF TE DOCUMENT 114-13096  
 Ø 0.1 (M) A (K) S (L) S  
 14 HOLES

# DETAILED HOST BOARD MECHANICAL LAYOUT

<small>THIS DRAWING IS A CONTROLLED DOCUMENT FOR TYCO ELECTRONICS CORPORATION. IT IS SUBJECT TO CHANGE AND THE CONTROLLING ENGINEERING ORGANIZATION SHOULD BE CONTACTED FOR THE LATEST REVISION.</small>		DWN D.E.STAHL 20NOV03 CHK E.BRIGHT 20NOV03 APVD E.BRIGHT 20NOV03	<b>Tyco Electronics</b> Tyco Electronics Shanghai, China
DIMENSIONS: mm 	TOLERANCES UNLESS OTHERWISE SPECIFIED: 0 PLC ±. 1 PLC ±.1 2 PLC ±.05 3 PLC ±.005 4 PLC ±.0001 ANGLES FINISH	PRODUCT SPEC 108-2127 APPLICATION SPEC 114-13096 WEIGHT -	NAME ASSEMBLY, XFP CAGE WITH INSULATING TAPE SIZE A2 CAGE CODE 00779 DRAWING NO. 1658871 RESTRICTED TO -
MATERIAL -		CUSTOMER DRAWING	SCALE 4 SHEET 3 OF 4 REV B

THIS DRAWING IS UNPUBLISHED. RELEASED FOR PUBLICATION 20  
 © COPYRIGHT 20 BY TYCO ELECTRONICS CORPORATION. ALL RIGHTS RESERVED.

LOC	DIST	REVISIONS					
ES	00	P	LTR	DESCRIPTION	DATE	DWN	APVD
		-		SEE SHEET 1			



Ø1.55±0.05  
 ⊕ Ø0.1(L) A X Y  
 -K-

2±0.05  
 ⊕ Ø0.06(L) K(S) L(S)

Ø1.55±0.05  
 ⊕ Ø0.1(L) A X K(S)  
 -L-

DETAIL E  
 SCALE 8:1

# DETAILED HOST BOARD MECHANICAL LAYOUT

<small>THIS DRAWING IS A CONTROLLED DOCUMENT FOR TYCO ELECTRONICS CORPORATION. IT IS SUBJECT TO CHANGE AND THE CONTROLLING ENGINEERING ORGANIZATION SHOULD BE CONTACTED FOR THE LATEST REVISION.</small>		DWN D.E.STAHL 20NOV03 CHK E.BRIGHT 20NOV03 APVD E.BRIGHT 20NOV03	Tyco Electronics Shanghai, China
DIMENSIONS: mm 	TOLERANCES UNLESS OTHERWISE SPECIFIED: 0 PLC ±- 1 PLC ±.1 2 PLC ±.05 3 PLC ±.005 4 PLC ±.0001 ANGLES FINISH ±-	PRODUCT SPEC 108-2127 APPLICATION SPEC 114-13096 WEIGHT -	NAME ASSEMBLY, XFP CAGE WITH INSULATING TAPE SIZE A2 CAGE CODE 00779 DRAWING NO. 1658871 RESTRICTED TO -
MATERIAL -		CUSTOMER DRAWING	
		SCALE 4	SHEET 4 OF 4 REV B