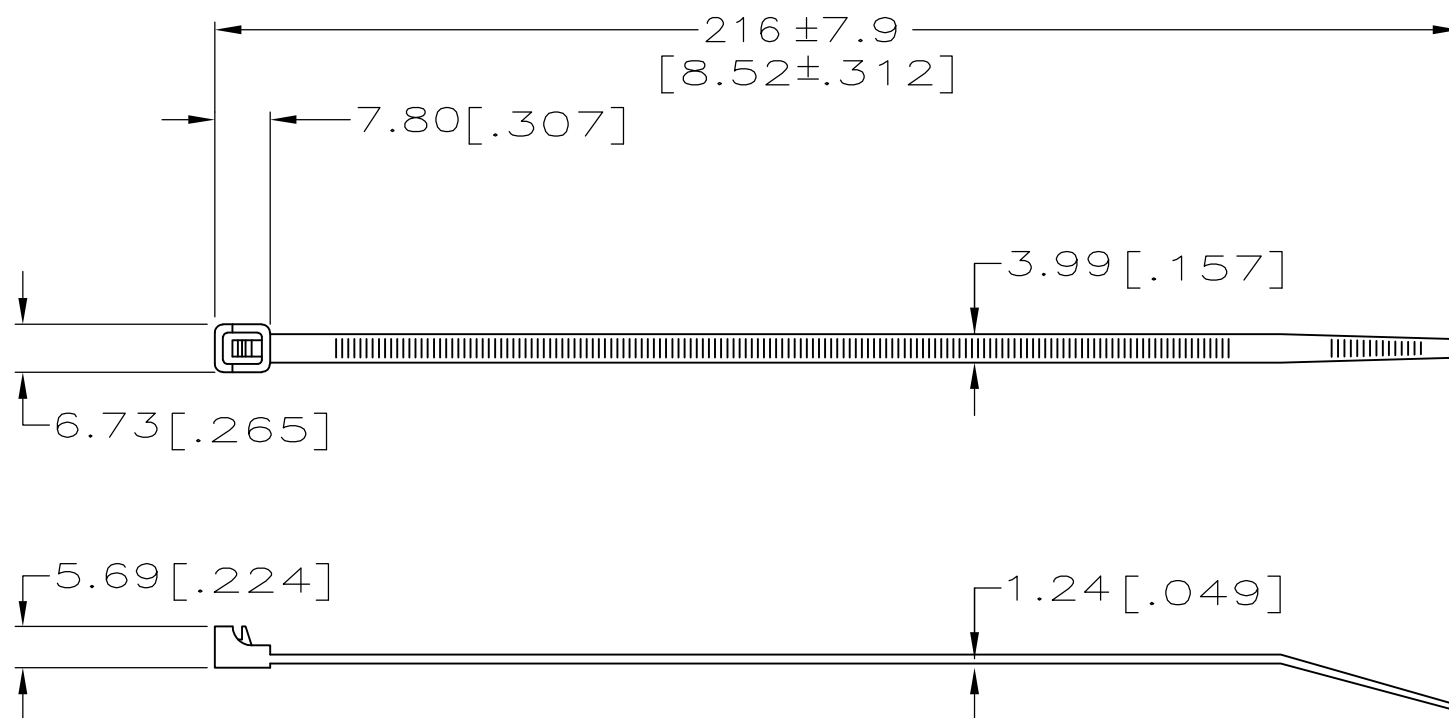


THIS DRAWING IS UNPUBLISHED. RELEASED FOR PUBLICATION  
 © COPYRIGHT BY TYCO ELECTRONICS CORPORATION. ALL INTERNATIONAL RIGHTS RESERVED.

LOC	DIST	REVISIONS			
P	LTR	DESCRIPTION	DATE	DWN	APVD
	H2	REV PER ECR 10-005510	12MAR10	JR	TM

1. PACKAGED IN A HEAT SEALED 3 MIL POLYBAG.
2. MAXIMUM BUNDLE DIAMETER: 50.8[2.0].
3. MINIMUM TENSILE STRENGTH: 18.144 KG[40 LBS].
- △ 4. OBSOLETE PARTS: OBSOLETE CIS STREAMLINING PER D.RENAUD/D.SINISI



△ 4	OBSOLETE	1000	PURPLE	-4-604476-0-
△ 4	OBSOLETE	100	PURPLE	-3-604476-0-
△ 4	OBSOLETE	1000	BLACK	-2-604476-0-
△ 4	OBSOLETE	100	NATURAL	-2-604476-9-
△ 4	OBSOLETE	1000	BLACK	-1-604476-0-
		100	NATURAL	1-604476-9-
		QUANTITY/BAG	COLOR	PART NUMBER

THIS DRAWING IS A CONTROLLED DOCUMENT.		DWN DL DRUMMOND 16 MAR 98	Tyco Electronics Corporation Harrisburg, PA 17105-3608	
DIMENSIONS: mm		CHK DL DRUMMOND 16 MAR 98	NAME CABLE TIE, RELEASABLE, 8 -1/2 INCHES	
TOLERANCES UNLESS OTHERWISE SPECIFIED: 0 PLC ± - 1 PLC ± - 2 PLC ± - 3 PLC ± 0.99[.039] 4 PLC ± - ANGLES ± -		APVD EJ HRYN 18 MAR 98	PRODUCT SPEC -	
MATERIAL NYLON		FINISH -	APPLICATION SPEC -	RESTRICTED TO -
		WEIGHT -	SIZE A3	CAGE CODE 00779
		CUSTOMER DRAWING	DRAWING NO G-604476	SCALE NONE
			SHEET 1 OF 1	REV H2