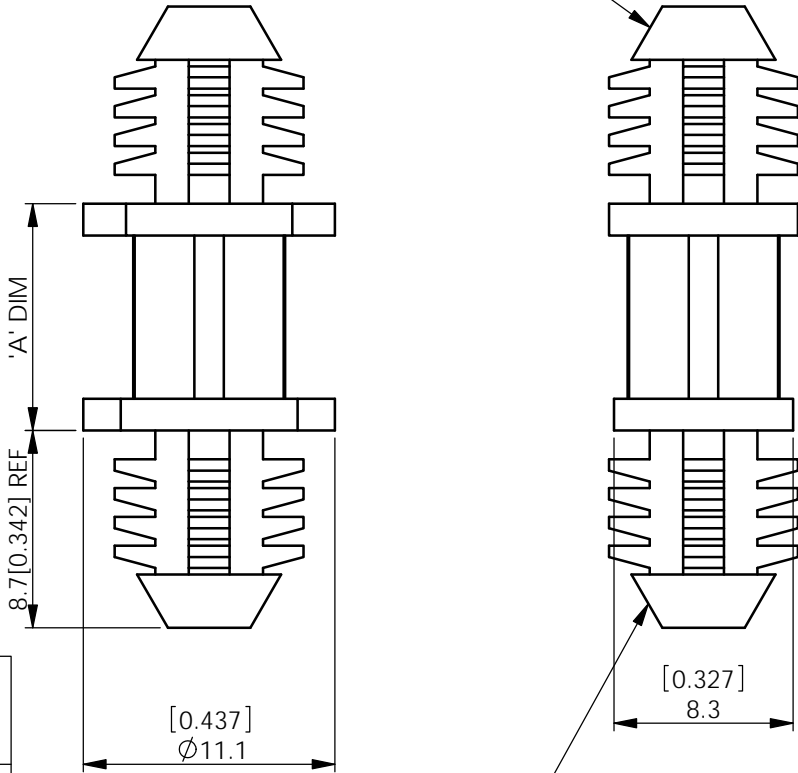


REV.	MODIFICATION.	DATE	DRN
01	NEW DWG, ECN 05-046	07/04/05	NJB
02	CO2010944	18/06/10	SF
03	CO2011108	04/03/11	SF

TO PRESS FIT IN A $\phi 7.92 \pm 0.08$
 $[\phi 0.312 \pm 0.003]$ HOLE,
 IN A $6.35 \pm 0.08 [0.250 \pm 0.003]$
 MIN THICK PANEL.



TO PRESS FIT IN A $\phi 7.92 \pm 0.08$
 $[\phi 0.312 \pm 0.003]$ HOLE,
 IN A $6.35 \pm 0.08 [0.250 \pm 0.003]$
 MIN THICK PANEL.

Mat'l:UL94 V2 Nylon 6/6 (RMS-01) Colour: Natural	
PART NUMBER	A DIM
BHDF-3M-01	3[0.118]
BHDF-4M-01	4[0.157]
BHDF-6M-01	6[0.236]
BHDF-8M-01	8[0.314]
BHDF-10M-01	10[0.393]
BHDF-12M-01	12[0.472]
BHDF-14M-01	14[0.551]
BHDF-16M-01	16[0.629]
BHDF-18M-01	18[0.708]
BHDF-20M-01	20[0.787]
Available in UL94 V0(RMS-19) material. To order replace -01 with -19.	

ALTERNATE UNITS FOR REFERENCE ONLY

INFORMATION CONTAINED IN THIS DOCUMENT IS CONFIDENTIAL TO RICHCO INTERNATIONAL Co. Ltd. AND MAY NOT BE DISCLOSED OR REPRODUCED IN WHOLE OR PART WITHOUT THEIR WRITTEN CONSENT.

RICHCO, INC.
WWW.RICHCO-INC.COM

GENERAL TOLERANCES $\pm 0.25 [0.010]$
 UNLESS OTHERWISE STATED
 1 DECIMAL PLACE \pm
 2 DECIMAL PLACES \pm
 ANGULAR $\pm 1^\circ$

THIRD ANGLE

MATERIAL: SEE TABLE COLOUR: SEE TABLE

DESCRIPTION: DOUBLE BLIND HOLE CIRCUIT BOARD SUPPORT PART No: BHDF-X-YY

DRG No: 05-037 NPR No: SHEET SIZE A4

DRN NJB	DATE 07/04/05	CHKD TC	DATE 07/04/05	SCALE NTS	SHEET No. 1 OF 1
------------	------------------	------------	------------------	--------------	---------------------