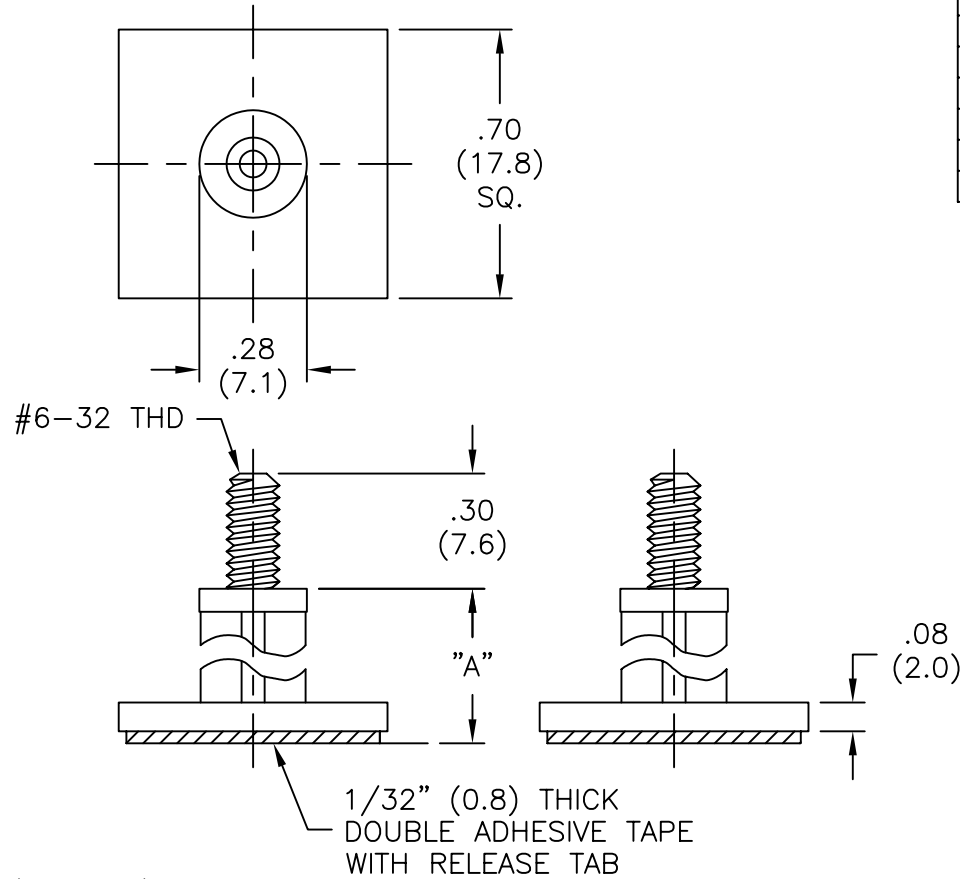


AVAILABLE BY SPECIAL ORDER ONLY



PART NO.	DIM. "A" ±.015 (0.4)
SCBSB-4-01A-RT	1/4 (6.4)
SCBSB-6-01A-RT	3/8 (9.5)
SCBSB-8-01A-RT	1/2 (12.7)
SCBSB-10-01A-RT	5/8 (15.9)
SCBSB-12-01A-RT	3/4 (19.1)
SCBSB-14-01A-RT	7/8 (22.2)
SCBSB-16-01A-RT	1 (25.4)
SCBSB-18-01A-RT	1-1/8 (28.6)

NOTES:

1. MATERIAL: NYLON 66 (RMS-01).
2. COLOR: NATURAL.
3. TAPE: ACRYLIC ADHESIVE TAPE (RMS-15).

TITLE: STUDDED CKT. BD. SUPPORT ON BASE			DWG IN IN (MM)			
TOLERANCES UNLESS NOTED .XX=±.010 .XXX=±.005 FRAC=1/64 ANG=1°			FILE # SCBSB MAT'L: SEE NOTES RE: RICHCO, INC.	DWN: P.B. DT: 03-13-95 APP: RICHCO INC. PO BOX 804238, CHICAGO, 60680 (773) 539-4060	FINAL PART # SEE TABLE	PRINT TYPE CA
C SEE CO 200088 FOR CHANGES B CHANGED FILE NO. AND TITLE BLOCK A CONVERTED TO ACAD REV DESCRIPTION	SK 12.13.07 SM 04.30.01 PB 03.13.95 ENGR DATE					