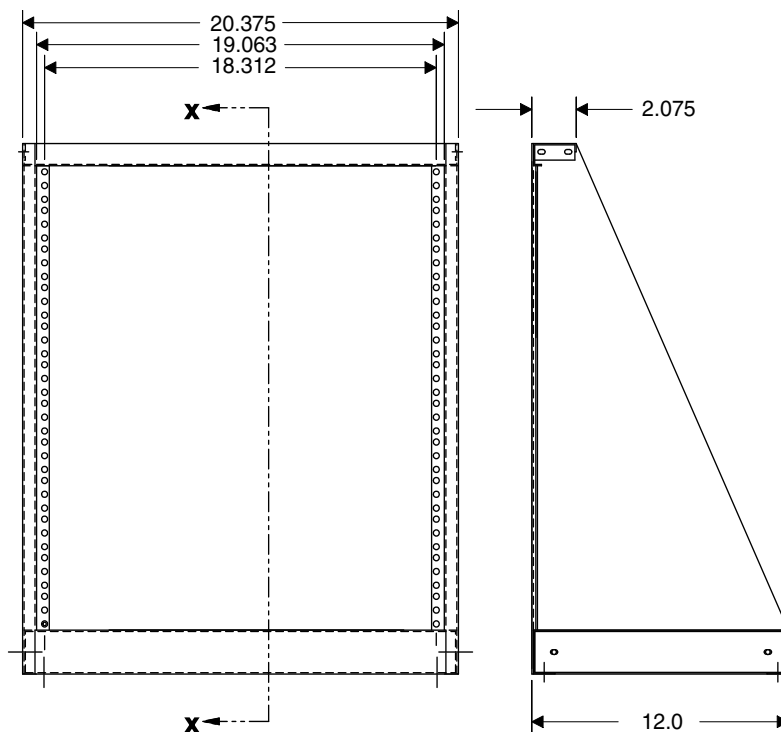


Open Rack (RRTT Series)

Table Top



Front View

Side View

[For complete drawing information link here to our website covering this series.](#)

FEATURES

- Standard 19" rack mount, open frame.
- Rack mounting, on E.I.A. universal spacing (5/8 - 5/8 - 1/2 inch)
- Round hole punched for 10-32 clip nuts (included)
- Choice of two heights, 21.0" (12U) or 28.0" (16U)
- Heavy duty construction, 14 gauge steel
- Recommended maximum weight (RRTT1928 tested) - 350 pounds (159 kg)
- Supplied unassembled (four pieces), shipped in a flat pack container for handling ease & protection
- Includes all hardware and four rubber feet
- Rugged powder paint, textured black finish

| Part Number | Panel Height | | Overall Dimensions | | | Weight |
|-------------|--------------|-------|--------------------|------------------|----------------|--------------|
| | Inches | Units | Height (A) | Width | Base Depth | |
| RRTT1921BK1 | 21.0 | 12U | 24.0" (610 mm) | 20.375" (518 mm) | 12.0" (305 mm) | 19# (8.6 kg) |
| RRTT1928BK1 | 28.0 | 16U | 31.0" (787 mm) | 20.375" (518 mm) | 12.0" (305 mm) | 21# (9.5 kg) |

UNIVERSAL ACCESSORIES

- Rack panels [Page 82](#)
- Ventilated rack panels [Page 84](#)
- Panel mount doors & chassis [Page 86](#)
- Shelves & slides [Page 87](#)
- Drawers [Page 93](#)
- Cable management [Page 94](#)
- Rack mount outlet strips [Page 102](#)
- Hardware [Page 119](#)

